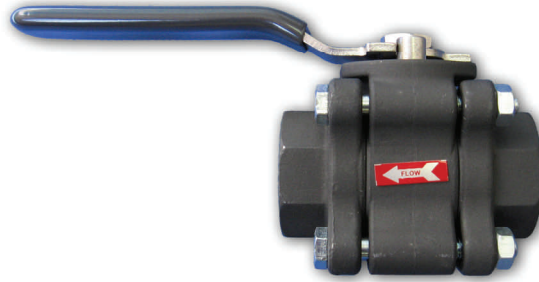




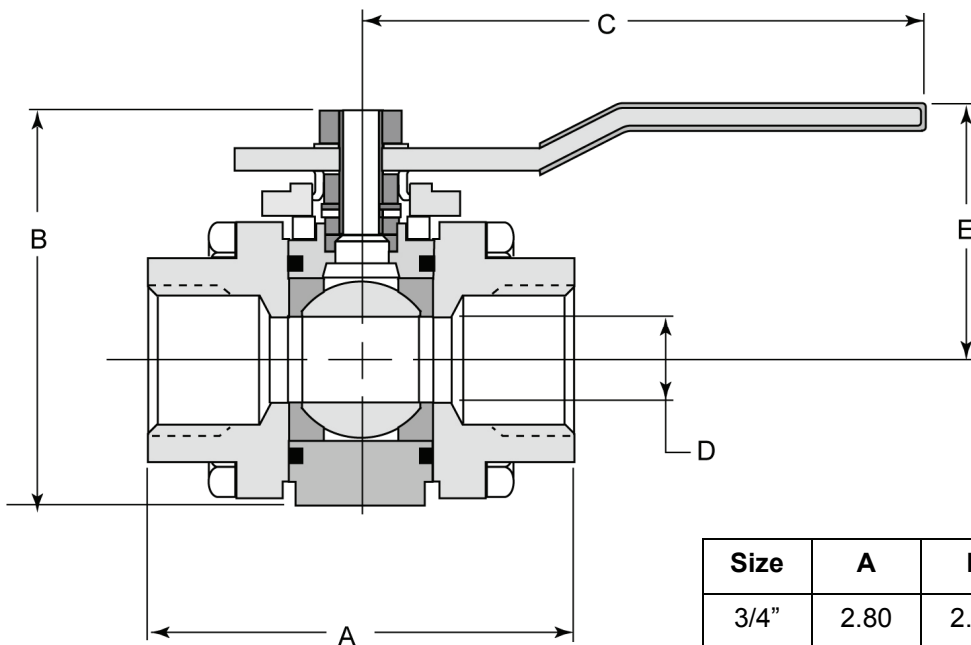
Gas Chlorine Ball Valves

Hydro Instruments gas chlorine ball valves meet Chlorine Institute Specifications (Pamphlet 6) for piping systems for dry chlorine service. These valves are available with NPT connections.



Ordering Information

Product No.	Ball and Stem Material	Connection
CBV-M-3/4NPT	Monel	3/4" NPT Thread
CBV-M-1NPT	Monel	1" NPT Thread
CBV-HC-3/4NPT	Hastelloy C-276	3/4" NPT Thread
CBV-HC-1NPT	Hastelloy C-276	1" NPT Thread



Dimensions & Weights

Size	A	B	C	D	E	Wt.
3/4"	2.80	2.60	4.49	0.56	1.87	2.0
1"	3.66	3.42	5.75	0.81	2.40	3.7